

Product introduction

Our led floodlight fitted with efficient LEDs from international brand Philips and powered by Isolated driver. We offer the users not only an excellent lighting quality, but also a high reliability. Its aluminum die-casting body protect the body temperature in reasonable range by good heat dissipation. In current mature Die Casting Aluminium LED Flood Light market, this product has competitive price and optimize the packaging method to save the transportation cost. Runwin LED Floodlights are ideal for outdoor flood lighting applications!

Product features:

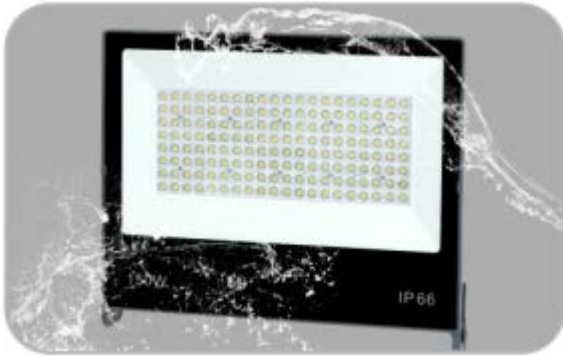
- 1) Full Die-Casting Aluminum housing with good heat dissipation.
- 2) LUMILEDS LED chip with 110lm/w, CRI>80
- 3) Suitable for operation in ambient temperature of -20°C-45°C
- 4) Waterproof isolated drive, IP66, PF0.95
- 5) Rotatable bracket to 320° , easy for installation, no need to remove the bracket.
- 6) Widely used in Architectural buildings, landscapes, walkways, yards, parking areas...etc
- 7) With unique breather valve to keep balance of the air pressure inside and outside.
- 8) Lifespan: 50000 hours and 5 years warranty.
- 9) Tempered glass is more safety.

Details:

➤ Product Parameters

Item No.	01FL-SL-5YEARS-50W	01FL-SL-5YEARS-100W	01FL-SL-5YEARS-150W	01FL-SL-5YEARS-200W	01FL-SL-5YEARS-300W
Power	50W	100W	150W	200W	300W
Material	Die casting aluminum				
Voltage	AC200-240V 50/60Hz				
LED Chip	LUMILEDS SMD2835				
No. of LEDs	64 pcs	144 pcs	160 pcs	240 pcs	336 pcs
Driver	Isolated driver				
Lumen Efficiency	110lm/w				
CCT	3000K/4000K/6000K/6500K				
CRI	>80				
IP	66				
Power Factor	0.95				
Working Temperature(°C)	-20°C-45°C				
Beam Angle	90°				
Life Span	50000 hours				
Warranty	5 years				
Product Size(mm)	190*160*30	280*240*30	350*270*35	350*270*35	480*350*40
Carton Size(mm)	275*205*400	385*205*285	395*200*280	395*200*280	525*240*470
QTY/CTN	10PCS	5PCS	3PCS	3PCS	3PCS

- **High protection rating IP66**

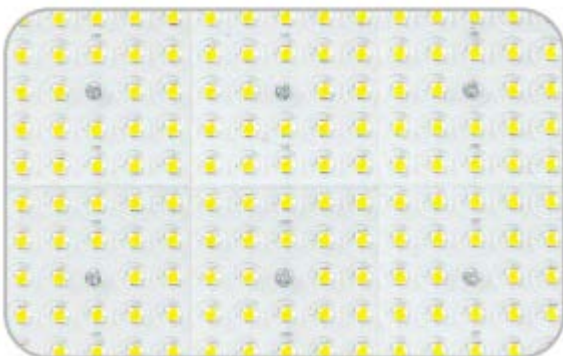


- **Breather Valve**

With unique breather valve to keep balance of the air pressure inside and outside



- **LUMILEDS led chip+Isolated Driver**



- **Optimization of packaging methods**

optimize the packaging method to save the transportation cost

➤ **Die-Casting Aluminum body**

Full Die-Casting Aluminum housing with good heat dissipation.



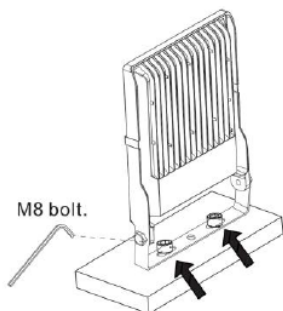
➤ **Tempered glass, impact resistance**

4mm Frosted Tempered Glass; Plastic sprayed black matte; nano reflector, with a thickness of 1.1mm PC lens

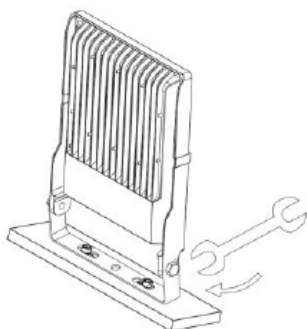


➤ **Easy to install**

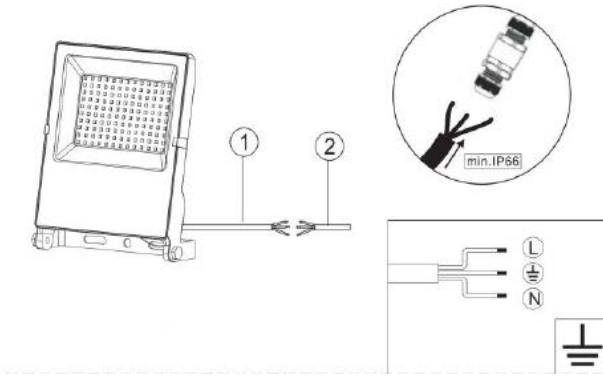
1、 Install the luminaire and make sure it will not fall off



2、 Adjust the light angle, fasten the bolt



3. Connect the cord, Note: the terminal shall be waterproof.



➤ **Application**

This LED Flood Light can be used in areas, such as Architectural buildings, landscapes, walkways, yards, parking areas, parks, gardens, driveways, eaves, industry and offices campuses

